

ANDERSEN CORPORATION

E-SERIES HINGED PATIO DOOR TRANSOM - OUTSWING (WZ3) (IMPACT)



100 FOURTH AVE NORTH
BAYPORT, MN 55003-1096
PH: (651) 264-5150 FX: (651) 264-5485

GENERAL NOTES:

1. THE PRODUCT SHOWN HEREIN IS DESIGNED AND MANUFACTURED TO COMPLY WITH THE CURRENT EDITION FLORIDA BUILDING CODE (FBC), **EXCLUDING** HVHZ AND HAS BEEN EVALUATED ACCORDING TO THE FOLLOWING:

- AAMA/WDMA/CSA 102/I.S.2/A440-17
- ASTM E1886-19
- ASTM E1996-20

2. ADEQUACY OF THE EXISTING STRUCTURAL CONCRETE/MASONRY, 2X FRAMING, AND METAL FRAMING AS A MAIN WIND FORCE RESISTING SYSTEM CAPABLE OF WITHSTANDING AND TRANSFERRING APPLIED PRODUCT LOADS TO THE FOUNDATION IS THE RESPONSIBILITY OF THE ENGINEER OR ARCHITECT OF RECORD FOR THE PROJECT OF INSTALLATION.

3. 1X AND 2X BUCKS (WHEN USED) SHALL BE DESIGNED AND ANCHORED TO PROPERLY TRANSFER ALL LOADS TO THE STRUCTURE. BUCK DESIGN AND INSTALLATION IS THE RESPONSIBILITY OF THE ENGINEER OR ARCHITECT OF RECORD FOR THE PROJECT OF INSTALLATION.

4. THE INSTALLATION DETAILS DESCRIBED HEREIN ARE GENERIC AND MAY NOT REFLECT ACTUAL CONDITIONS FOR A SPECIFIC SITE. IF SITE CONDITIONS CAUSE INSTALLATION TO DEVIATE FROM THE REQUIREMENTS DETAILED HEREIN, A LICENSED ENGINEER OR ARCHITECT SHALL PREPARE SITE SPECIFIC DOCUMENTS FOR USE WITH THIS DOCUMENT IN NON-HVHZ AREAS.

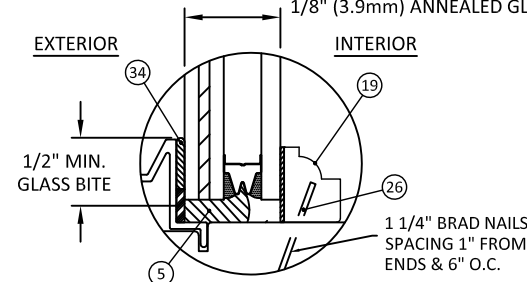
5. APPROVED IMPACT PROTECTIVE SYSTEM **IS NOT REQUIRED** ON THIS PRODUCT IN AREAS REQUIRING IMPACT RESISTANCE IN WIND ZONE 3 OR LESS.

6. APPROVED IMPACT PROTECTIVE SYSTEM **IS REQUIRED** ON THIS PRODUCT IN AREAS REQUIRING IMPACT RESISTANCE IN WIND ZONE 4.

7. WINDOW FRAME MATERIAL: ALUMINUM CLAD & WOOD

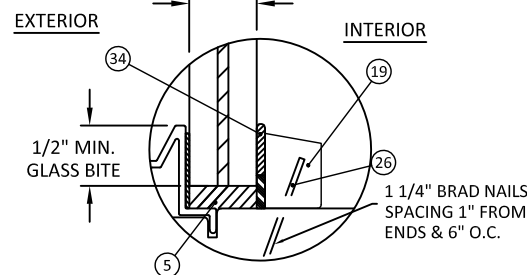
8. GLASS MEETS THE REQUIREMENTS OF ASTM E 1300 GLASS CHARTS. SEE THIS SHEET FOR GLAZING DETAILS.

3/4" (0.80") O.A. INSULATED GLASS:
1/8" (3.1mm) ANNEALED GLASS
0.090" SENTRYGLAS INTERLAYER BY KURARAY PREVIOUSLY KNOWN AS DUPONT
1/8" (3.1mm) ANNEALED GLASS
5/16" (8mm) AIR SPACE
1/8" (3.9mm) ANNEALED GLASS



GLAZING DETAIL 1
SHOWN WITH COLONIAL GLASS STOP

7/16" O.A. MONOLITHIC GLASS:
3/16" (3.9mm) ANNEALED GLASS
0.090" SENTRYGLAS INTERLAYER BY KURARAY PREVIOUSLY KNOWN AS DUPONT
3/16" (3.9mm) ANNEALED GLASS



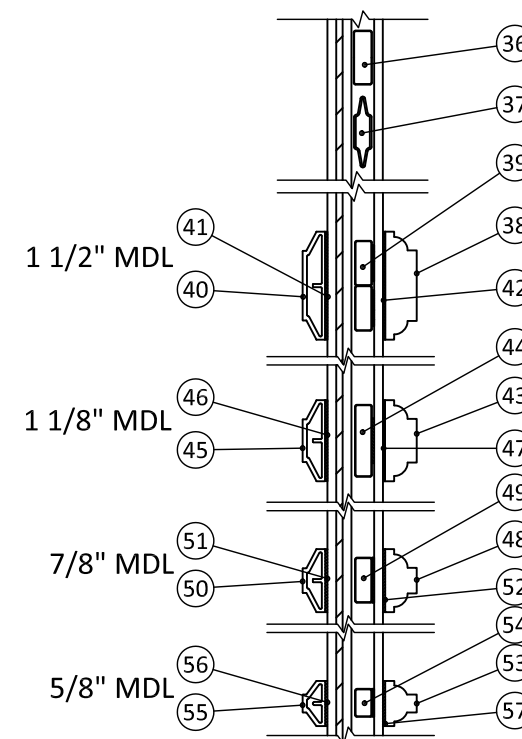
GLAZING DETAIL 2
SHOWN WITH CONTEMPORARY GLASS STOP

GLAZING NOTES:

1. GLASS TYPE COMPLIES WITH ASTM E1300 REQUIREMENTS.
2. SETTING BLOCKS TO BE LOCATED AT 1/4 SPAN LENGTH FOR GLASS WIDER THAN 36" AS PER FBC CHAPTER 24.
3. SETTING BLOCK DUROMETER HARDNESS OF 70-90 (SHORE A) AS REFERENCED IN FBC CHAPTER 24.
4. GLASS TYPE SHALL COMPLY WITH APPLICABLE GLAZING REQUIREMENTS PER CHAPTER 24 OF THE FBC

| WINDOW TYPE | OVERALL FRAME SIZE | | OVERALL D.L.O. DIMENSION | | GLASS TYPE | DESIGN PRESSURE (PSF) | |
|-------------|--------------------|--------------|--------------------------|--------------|------------|-----------------------|------|
| | WIDTH (IN.) | HEIGHT (IN.) | WIDTH (IN.) | HEIGHT (IN.) | | POS. | NEG. |
| SINGLE | 72.0 | 36.0 | 64.62 | 28.75 | G1 | +65 | - 65 |
| SINGLE | 72.0 | 36.0 | 64.62 | 28.75 | G2 | +60 | - 65 |

NOTE:
GLASS STOPS ARE INTERCHANGEABLE.



OPTIONAL MUNTIN BAR ATTACHMENT TO GLASS

| TABLE OF CONTENTS | |
|-------------------|--|
| SHEET | SHEET DESCRIPTION |
| 1 | GENERAL NOTES, GLAZING DETAILS AND TABLE OF CONTENTS |
| 2 | ELEVATIONS & ANCHOR LAYOUTS |
| 3 | VERTICAL SECTIONS |
| 4 | HORIZONTAL SECTIONS |
| 5 | ANCHOR DETAILS & INSTALLATION NOTES |
| 6 | COMPONENTS |
| 7 | BILL OF MATERIALS |

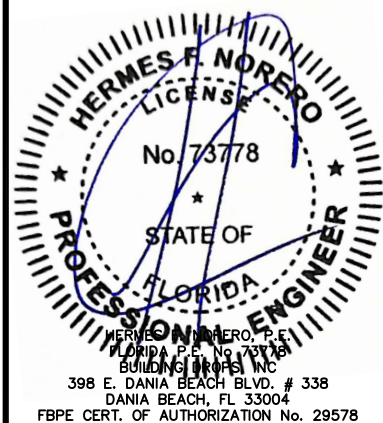
TITLE: E-SERIES HINGED PATIO DOOR TRANSOM - OUTSWING (WZ3) (NON-IMPACT)

GENERAL NOTES, GLAZING DETAILS AND TABLE OF CONTENTS

PREPARED BY:
BUILDING DROPS, INC.
398 E. DANIA BEACH BLVD., STE. 338
DANIA BEACH, FL 33004
PH: (954)399-8478
FAX: (954)744-4738
WEB: www.buildingdrops.com

| REMARKS | BY | DATE |
|----------------------|-----|----------|
| 2020 FBC UPDATE | NUS | 08.25.20 |
| 2023 FBC CODE CHANGE | MS | 5/31/23 |

THE INSTALLATION DETAILS DESCRIBED HEREIN ARE GENERIC AND MAY NOT REFLECT ACTUAL CONDITIONS FOR A SPECIFIC SITE. IF SITE CONDITIONS CAUSE INSTALLATION TO DEVIATE FROM THE REQUIREMENTS DETAILED HEREIN, A LICENSED ENGINEER OR ARCHITECT SHALL PREPARE SITE SPECIFIC DOCUMENTS FOR USE WITH THIS DOCUMENT.



| | |
|----------|-----------------|
| FL #: | FL24230 |
| DATE: | 04.18.17 |
| DWG. BY: | RV |
| CHK. BY: | HFN |
| SCALE: | NTS |
| DWG. #: | AWD250 |

SHEET
1
OF 7



100 FOURTH AVE NORTH
BAYPORT, MN 55003-1096
PH: (651) 264-5150 FX: (651) 264-5485

TITLE: E-SERIES HINGED PATIO
DOOR TRANSOM - OUTSWING
(WZ3) (NON-IMPACT)

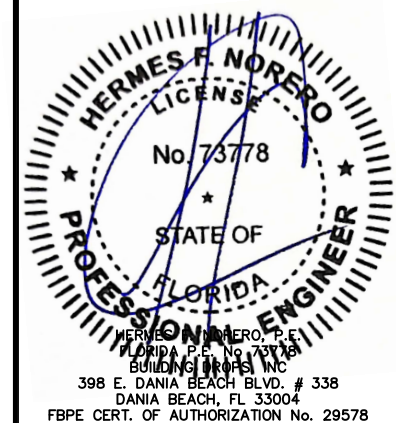
ELEVATIONS & ANCHOR LAYOUTS

PREPARED BY:
BUILDING DROPS, INC.
398 E. DANIA BEACH BLVD., STE. 338
DANIA BEACH, FL 33004
PH: (954) 399-8478
FAX: (954) 744-4738
WEB: www.buildingdrops.com



| REMARKS | BY | DATE |
|----------------------|-----|----------|
| 2020 FBC UPDATE | NUS | 08.25.20 |
| 2023 FBC CODE CHANGE | MS | 5/31/23 |
| | | |
| | | |

THE INSTALLATION DETAILS DESCRIBED HEREIN ARE GENERIC AND MAY NOT REFLECT ACTUAL CONDITIONS FOR A SPECIFIC SITE. IF SITE CONDITIONS CAUSE INSTALLATION TO DEVIATE FROM THE REQUIREMENTS DETAILED HEREIN, A LICENSED ENGINEER OR ARCHITECT SHALL PREPARE SITE SPECIFIC DOCUMENTS FOR USE WITH THIS DOCUMENT.



FL #: **FL24230**

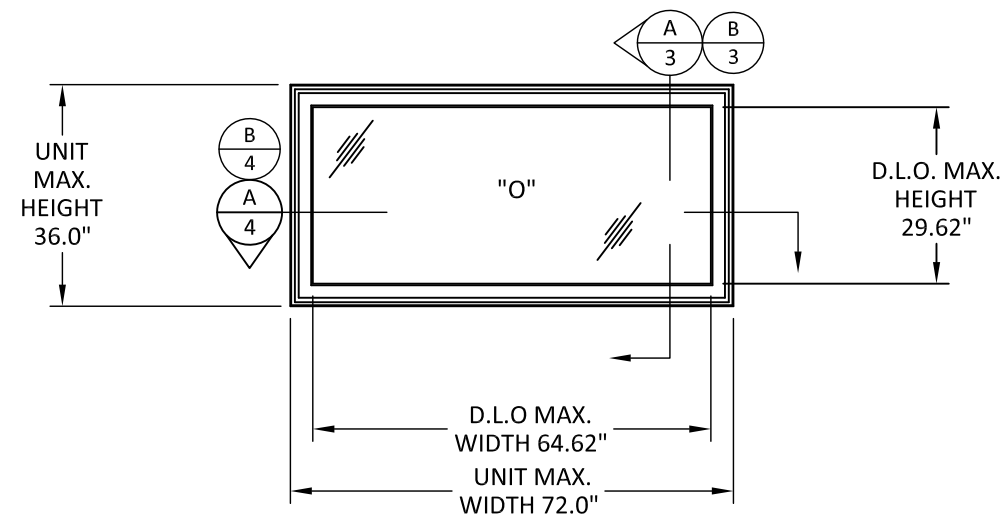
DATE: **04.18.17**

DWG. BY: **RV** CHK. BY: **HFN**

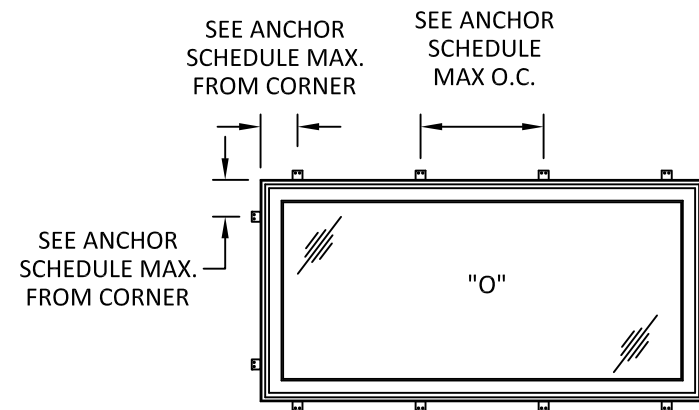
SCALE: **NTS**

DWG. #: **AWD250**

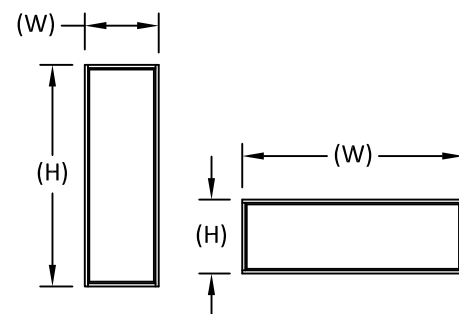
SHEET **2**



ELEVATION



ANCHOR LAYOUT THROUGH FRAME



NOTE:
WINDOW WIDTH (W) AND HEIGHT (H) ARE INTERCHANGEABLE FOR ALL SIZES SHOWN HEREIN NOT TO EXCEED MAXIMUM TESTED SQUARE FOOT AREA. ANCHOR SPACING SHALL NOT EXCEED THOSE SHOWN FOR LONG OR SHORT LEG OF UNIT.

NOTE :
FOR MORE ANCHOR INFORMATION (INSTALLATION TYPE, SPACING, QUANTITY, ANCHOR TYPE, QUALIFIED SUBSTRATES) SEE SHEET 5



100 FOURTH AVE NORTH
BAYPORT, MN 55003-1096
PH: (651) 264-5150 FX: (651) 264-5485

TITLE: E-SERIES HINGED PATIO
DOOR TRANSOM - OUTSWING
(WZ3) (NON-IMPACT)

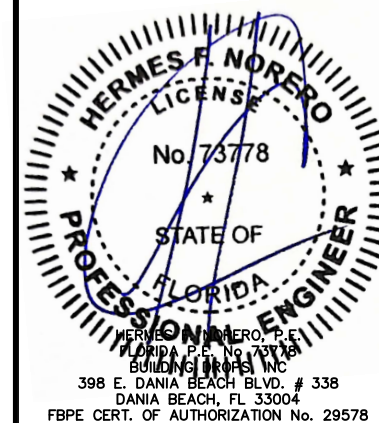
VERTICAL SECTIONS

PREPARED BY:
BUILDING DROPS, INC.
398 E. DANIA BEACH BLVD., STE. 338
DANIA BEACH, FL 33004
PH: (954) 399-8478
FAX: (954) 744-4738
WEB: www.buildingdrops.com



| REMARKS | BY | DATE |
|----------------------|-----|----------|
| 2020 FBC UPDATE | NUS | 08.25.20 |
| 2023 FBC CODE CHANGE | MS | 5/31/23 |

THE INSTALLATION DETAILS DESCRIBED HEREIN ARE GENERIC AND MAY NOT REFLECT ACTUAL CONDITIONS FOR A SPECIFIC SITE. IF SITE CONDITIONS CAUSE INSTALLATION TO DEVIATE FROM THE REQUIREMENTS DETAILED HEREIN, A LICENSED ENGINEER OR ARCHITECT SHALL PREPARE SITE SPECIFIC DOCUMENTS FOR USE WITH THIS DOCUMENT.



FL #: **FL24230**

DATE: **04.18.17**

DWG. BY: **RV** CHK. BY: **HFN**

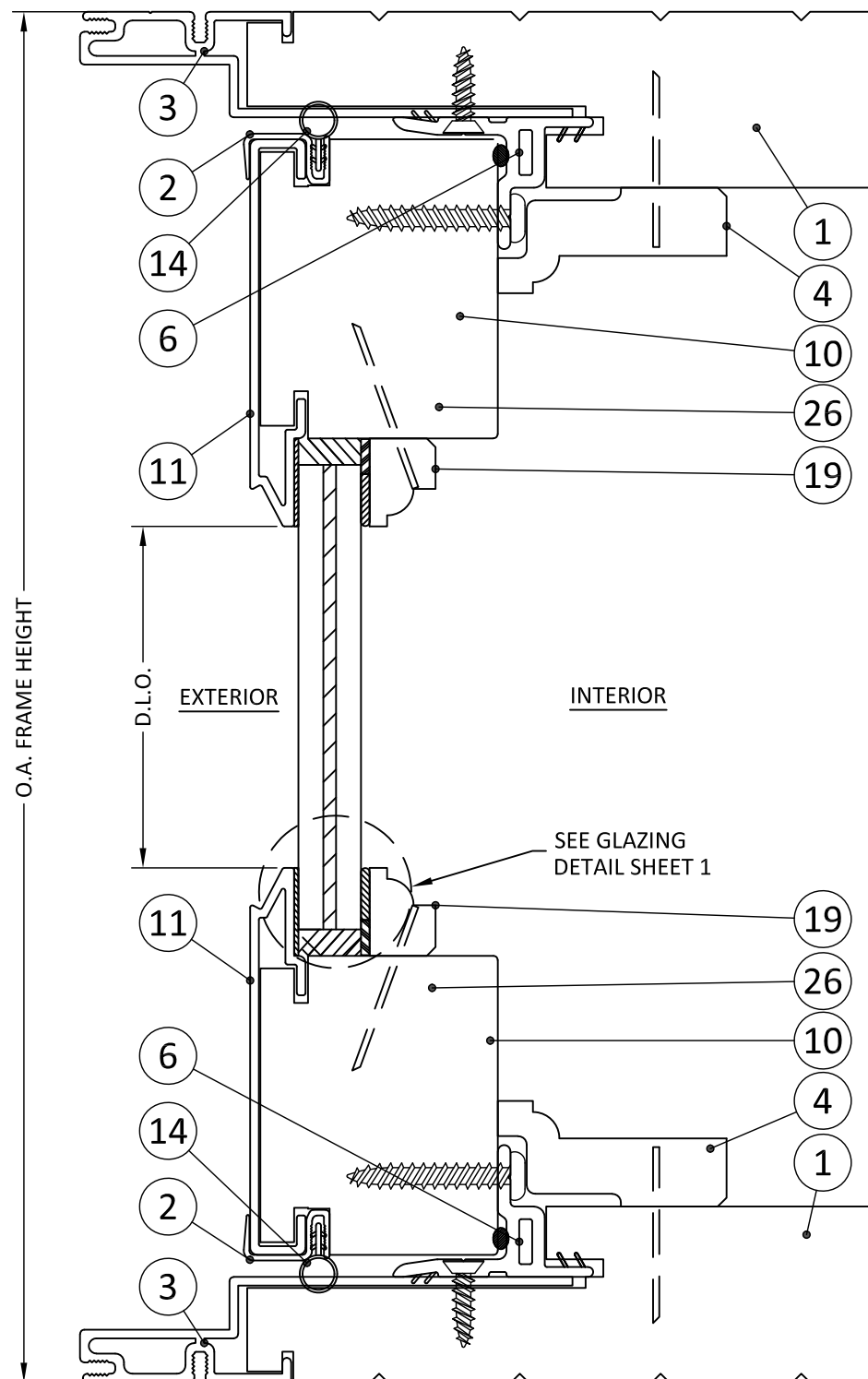
SCALE: **NTS**

DWG. #: **AWD250**

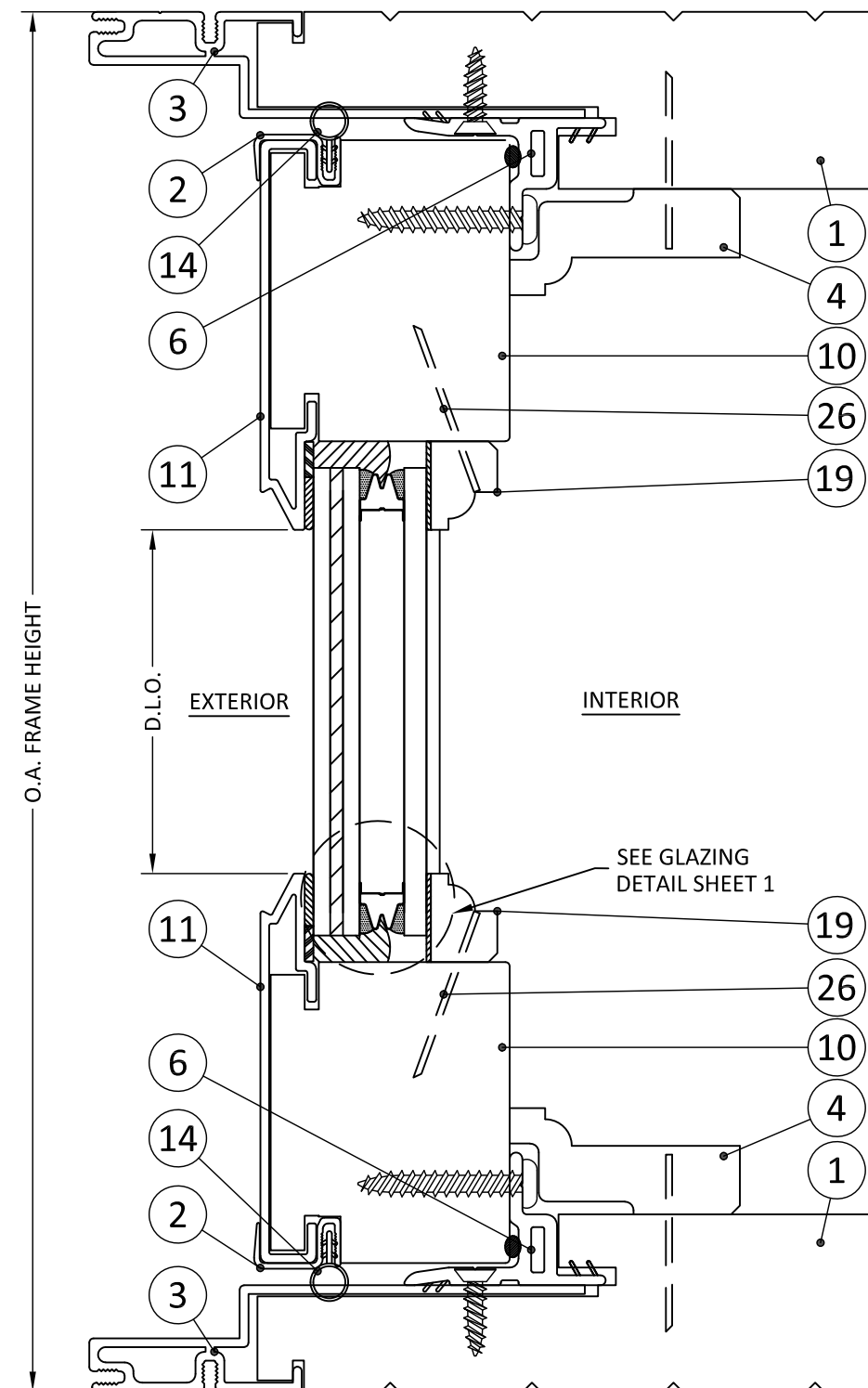
SHEET

3

OF 7



A
3 VERTICAL SECTION
MONOLITHIC LAMINATED GLASS



B
3 VERTICAL SECTION
INSULATED GLASS

7/20/2023 3:03 PM s:\projects\andersen_windows\cc-23-0406-fbc-2023 code change (8th edition)\124230\dwgs\awd250-e-series hinged patio door transom-outswing (wz3)(impact).dwg



100 FOURTH AVE NORTH
BAYPORT, MN 55003-1096
PH: (651) 264-5150 FX: (651) 264-5485

TITLE: E-SERIES HINGED PATIO
DOOR TRANSOM - OUTSWING
(WZ3) (NON-IMPACT)

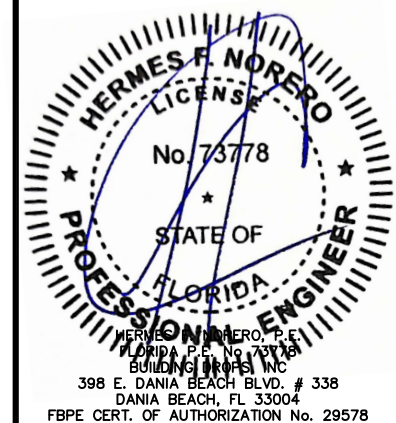
HORIZONTAL SECTIONS

PREPARED BY:
BUILDING DROPS, INC.
398 E. DANIA BEACH BLVD., STE. 338
DANIA BEACH, FL 33004
PH: (954) 399-8478
FAX: (954) 744-4738
WEB: www.buildingdrops.com



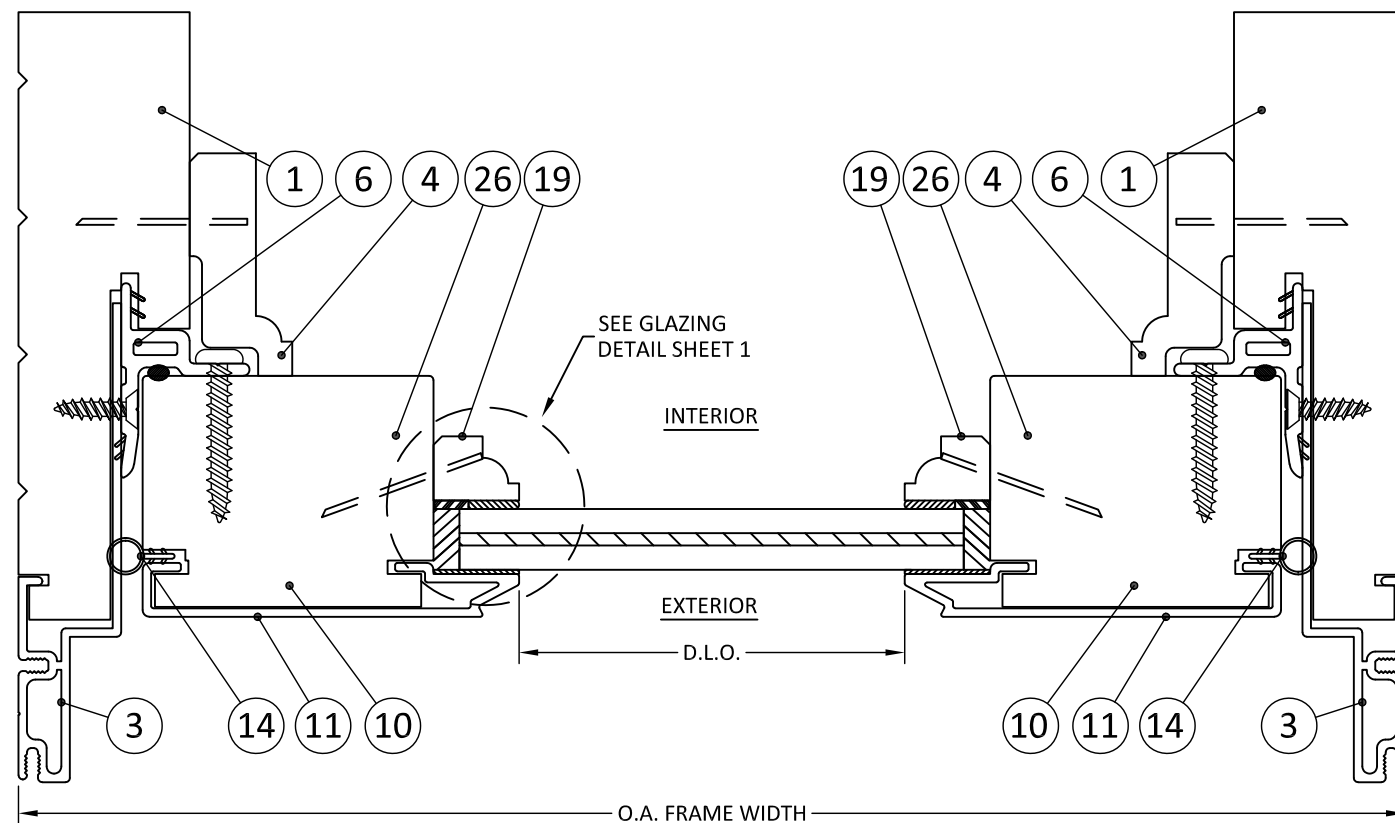
| REMARKS | BY | DATE |
|----------------------|-----|----------|
| 2020 FBC UPDATE | NUS | 08.25.20 |
| 2023 FBC CODE CHANGE | MS | 5/31/23 |

THE INSTALLATION DETAILS DESCRIBED HEREIN ARE GENERIC AND MAY NOT REFLECT ACTUAL CONDITIONS FOR A SPECIFIC SITE. IF SITE CONDITIONS CAUSE INSTALLATION TO DEVIATE FROM THE REQUIREMENTS DETAILED HEREIN, A LICENSED ENGINEER OR ARCHITECT SHALL PREPARE SITE SPECIFIC DOCUMENTS FOR USE WITH THIS DOCUMENT.

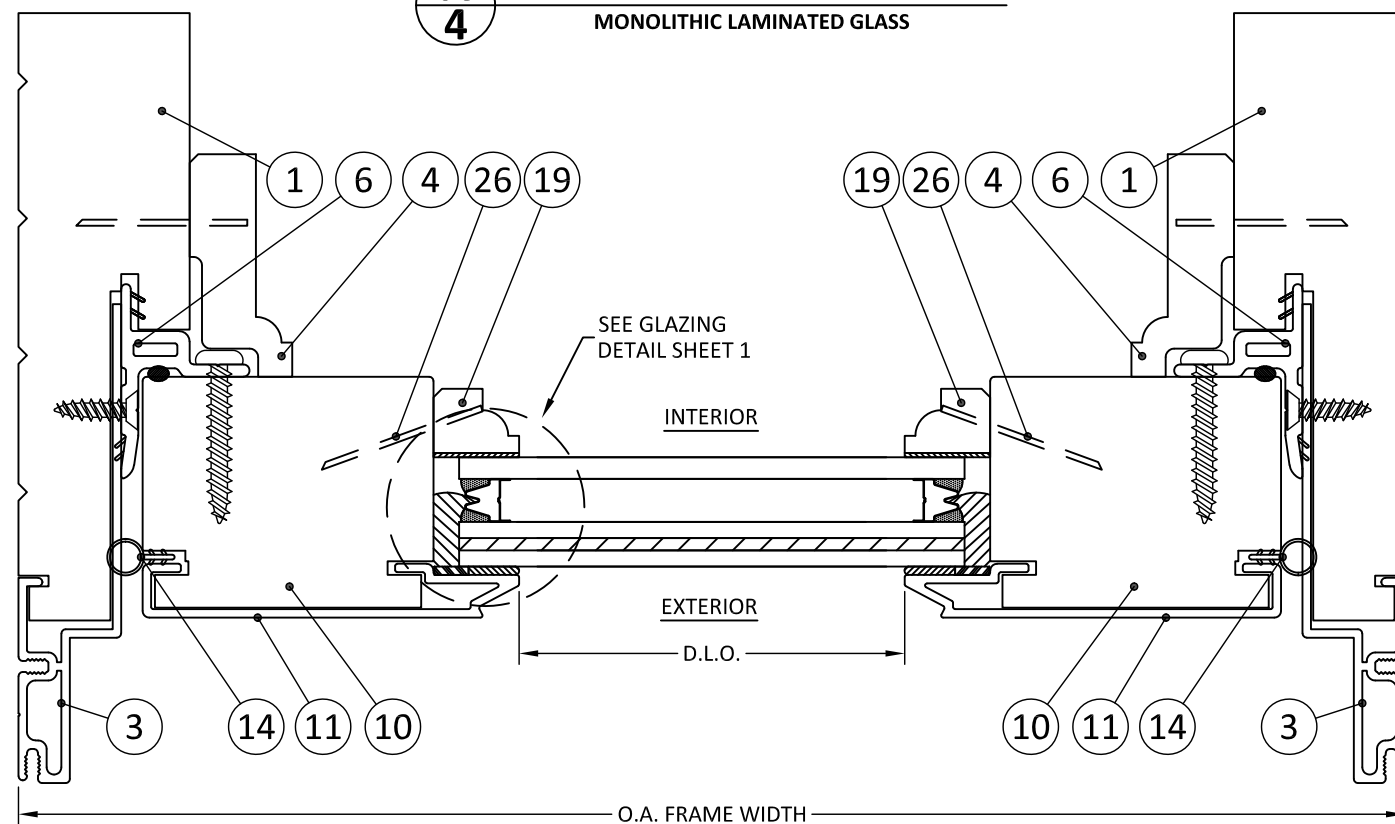


| | |
|----------|-----------------|
| FL #: | FL24230 |
| DATE: | 04.18.17 |
| DWG. BY: | RV |
| CHK. BY: | HFN |
| SCALE: | NTS |
| DWG. #: | AWD250 |

SHEET
4



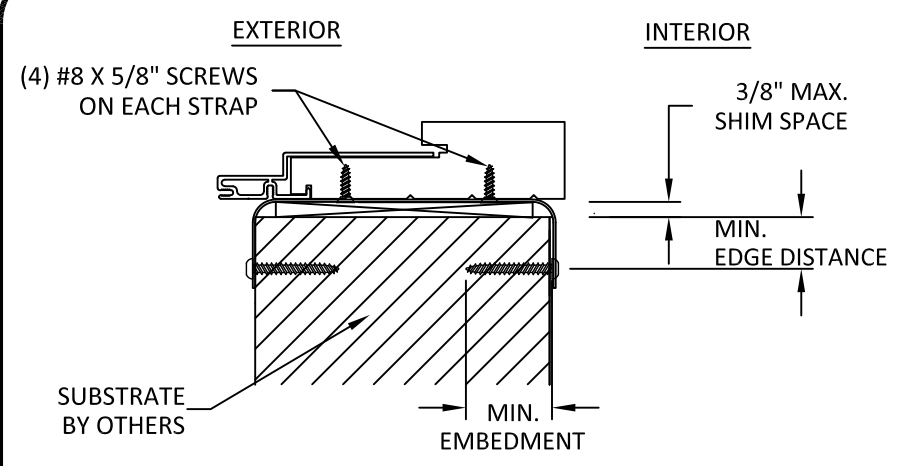
A
4
HORIZONTAL SECTION
MONOLITHIC LAMINATED GLASS



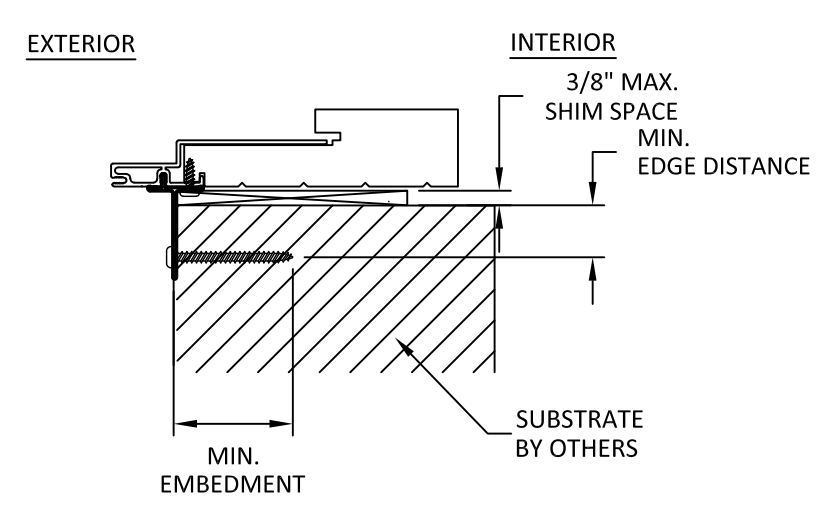
B
4
HORIZONTAL SECTION
INSULATED GLASS

s:\projects\andersen_windows\cc-23-0406 - fbc 2023 code change (8th edition)\124230\dwgs\awd250 - e-series hinged patio door transom - outswing (wz3)(impact).dwg 7/20/2023 3:03 PM

7/20/2023 3:03 PM
s:\projects\andersen\windows\cc-23-0406-fbc-2023 code change (8th edition)\124230\dwgs\awd250-e-series hinged patio door-transom-outswing (wz3)(impact).dwg

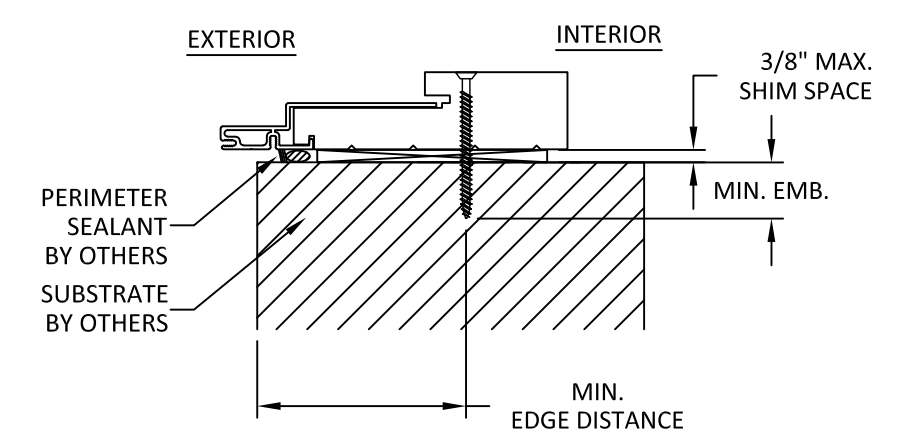


A
5 ANCHOR DETAIL
STRAP ANCHOR (SILL)



B
5 ANCHOR DETAIL
NAIL FIN (SILL)

-HEAD, SILL AND JAMB HAVE SIMILAR DETAILS



C
5 ANCHOR DETAIL
THROUGH FRAME (SILL)

INSTALLATION NOTES:

- ONE (1) INSTALLATION ANCHOR IS REQUIRED AT EACH ANCHOR LOCATION SHOWN.
- THE NUMBER OF INSTALLATION ANCHORS DEPICTED IS THE MINIMUM NUMBER OF ANCHORS TO BE USED FOR PRODUCT INSTALLATION OF THE MAXIMUM SIZE LISTED.
- INSTALL INDIVIDUAL INSTALLATION ANCHORS WITHIN A TOLERANCE OF ±1.000 INCH THE DEPICTED LOCATION & SPACING IN THE ANCHOR LAYOUT DETAILS (I.E., WITHOUT CONSIDERATION OF TOLERANCES). TOLERANCES ARE NOT CUMULATIVE FROM ONE INSTALLATION ANCHOR TO THE NEXT.
- SHIM AS REQUIRED AT EACH INSTALLATION ANCHOR WITH LOAD BEARING SHIM(S). MAXIMUM ALLOWABLE SHIM STACK TO BE 3/8 INCH. SHIM WHERE SPACE OF 1/16 INCH OR GREATER OCCURS. SHIM(S) SHALL BE CONSTRUCTED OF HIGH DENSITY PLASTIC OR BETTER.
- MINIMUM EMBEDMENT AND EDGE DISTANCE EXCLUDE WALL FINISHES, INCLUDING BUT NOT LIMITED TO STUCCO, FOAM, BRICK VENEER, AND SIDING.
- INSTALLATION ANCHORS AND ASSOCIATED HARDWARE MUST BE MADE OF CORROSION RESISTANT MATERIAL OR HAVE A CORROSION RESISTANT COATING.
- FOR MASONRY OR CONCRETE OPENINGS, A 1X WOOD BUCK MAY BE USED (OPTIONAL) AS LONG AS THE MINIMUM EMBEDMENT AND EDGE DISTANCE REQUIREMENTS ARE STILL MET WITHIN THE CORRESPONDING HOST SUBSTRATE. SEE GENERAL NOTE #3 ON SHEET 1 FOR MORE INFORMATION.
- FOR HOLLOW BLOCK AND GROUT FILLED BLOCK, DO NOT INSTALL INSTALLATION ANCHORS INTO MORTAR JOINTS. EDGE DISTANCE IS MEASURED FROM FREE EDGE OF BLOCK OR EDGE OF MORTAR JOINT INTO FACE SHELL OF BLOCK.
- INSTALLATION ANCHORS SHALL BE INSTALLED IN ACCORDANCE WITH ANCHOR MANUFACTURER'S INSTALLATION INSTRUCTIONS, AND ANCHORS SHALL NOT BE USED IN SUBSTRATES WITH STRENGTHS LESS THAN THE MINIMUM STRENGTH SPECIFIED BY THE ANCHOR MANUFACTURER.

| ANCHOR SCHEDULE | | | | | | | | |
|-------------------|-------------------------|--|-----------------|---------------------------|---------------------|------------------------------------|-------------------------------|----------------------------|
| INSTALLATION TYPE | ANCHOR QTY PER LOCATION | SUBSTRATE | ANCHOR TYPE | EMBEDMENT (IN.) | EDGE DISTANCE (IN.) | MAX. HEAD/SILL O.C. DISTANCE (IN.) | MAX. JAMB O.C. DISTANCE (IN.) | MAX. CORNER DISTANCE (IN.) |
| THRU STRAP | 2 | WOOD : MIN. SG=0.55 | #8 WOOD SCREW | 1.5 | 0.75 | 12 | 12 | 6 |
| | 2 | METAL : 20 GAUGE STEEL, MIN. F _y =33KSI | #10 TEK SCREW | 3 THREADS MIN PENETRATION | 0.5 | | | |
| THRU FRAME | 1 | WOOD : MIN. SG=0.55 | #10 WOOD SCREW | 0.75 | 0.75 | 12 | 12 | 6 |
| | 1 | METAL : 20 GAUGE STEEL, MIN. F _y =33KSI | #10 TEK SCREW | 3 THREADS MIN PENETRATION | 0.5 | | | |
| | 1 | CONCRETE : f' _c =3000PSI | 1/4" ITW TAPCON | 1 | 2.5 | | | |
| THRU NAIL FIN | 1 | WOOD : MIN. SG=0.55 | #8 WOOD SCREW | 0.75 | 0.75 | 6 | 6 | 3 |
| | 1 | METAL : 20 GAUGE STEEL, MIN. F _y =33KSI | #10 TEK SCREW | 3 THREADS MIN PENETRATION | 0.5 | | | |



100 FOURTH AVE NORTH
BAYPORT, MN 55003-1096
PH: (651) 264-5150 FX: (651) 264-5485

TITLE: E-SERIES HINGED PATIO
DOOR TRANSOM - OUTSWING
(WZ3) (NON-IMPACT)

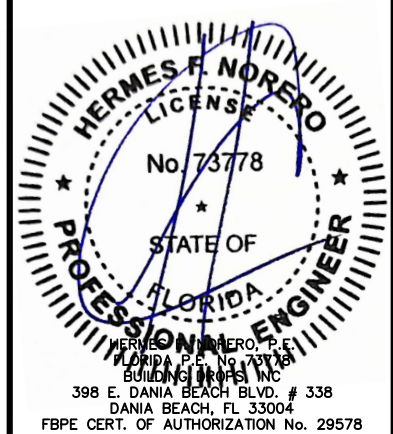
ANCHOR DETAILS &
INSTALLATION NOTES

PREPARED BY:
BUILDING DROPS, INC.
398 E. DANIA BEACH BLVD., STE. 338
DANIA BEACH, FL 33004
PH: (954) 399-8478
FAX: (954) 744-4738
WEB: www.buildingdrops.com



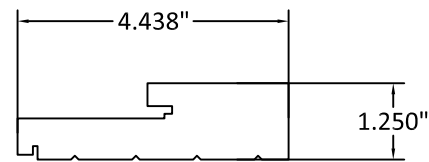
| REMARKS | BY | DATE |
|----------------------|-----|----------|
| 2020 FBC UPDATE | NUS | 08.25.20 |
| 2023 FBC CODE CHANGE | MS | 5/31/23 |

THE INSTALLATION DETAILS DESCRIBED HEREIN ARE GENERIC AND MAY NOT REFLECT ACTUAL CONDITIONS FOR A SPECIFIC SITE. IF SITE CONDITIONS CAUSE INSTALLATION TO DEVIATE FROM THE REQUIREMENTS DETAILED HEREIN, A LICENSED ENGINEER OR ARCHITECT SHALL PREPARE SITE SPECIFIC DOCUMENTS FOR USE WITH THIS DOCUMENT.

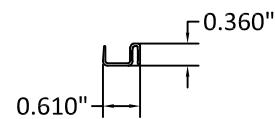


| | |
|----------|-----------------|
| FL #: | FL24230 |
| DATE: | 04.18.17 |
| DWG. BY: | RV |
| CHK. BY: | HFN |
| SCALE: | NTS |
| DWG. #: | AWD250 |
| SHEET | 5 |

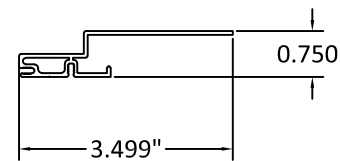
1 FRAME



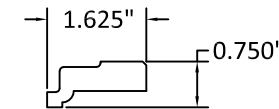
2 PANEL CAP



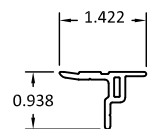
3 HEAD, SILL & JAMB CLADDING



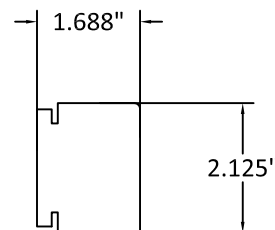
4 PANEL STOP



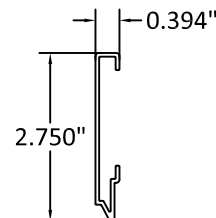
6 PANEL SHIM



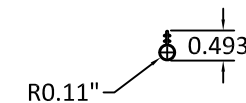
10 TOP RAIL & STILE



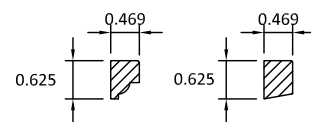
11 TOP RAIL CLADDING



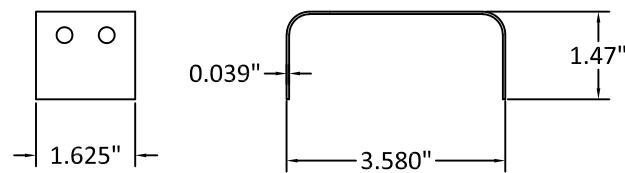
14 ARLOC BULB WEATHERSTRIP



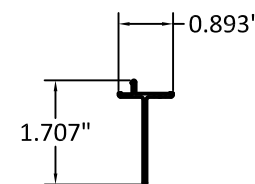
19 GLAZING STOP



33 STRAP ANCHOR



70 NAIL FIN



100 FOURTH AVE NORTH
BAYPORT, MN 55003-1096
PH: (651) 264-5150 FX: (651) 264-5485

TITLE: E-SERIES HINGED PATIO
DOOR TRANSOM - OUTSWING
(WZ3) (NON-IMPACT)

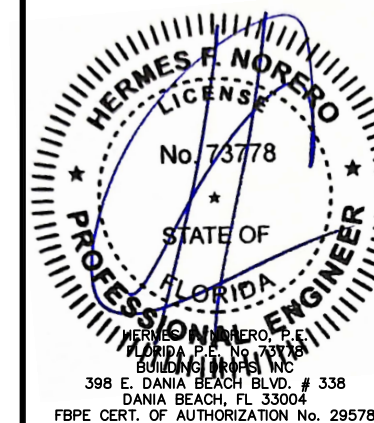
COMPONENTS

PREPARED BY:
BUILDING DROPS, INC.
398 E. DANIA BEACH BLVD., STE. 338
DANIA BEACH, FL 33004
PH: (954) 399-8478
FAX: (954) 744-4738
WEB: www.buildingdrops.com



| REMARKS | BY | DATE |
|----------------------|-----|----------|
| 2020 FBC UPDATE | NUS | 08.25.20 |
| 2023 FBC CODE CHANGE | MS | 5/31/23 |
| | | |

THE INSTALLATION DETAILS DESCRIBED HEREIN ARE GENERIC AND MAY NOT REFLECT ACTUAL CONDITIONS FOR A SPECIFIC SITE. IF SITE CONDITIONS CAUSE INSTALLATION TO DEVIATE FROM THE REQUIREMENTS DETAILED HEREIN, A LICENSED ENGINEER OR ARCHITECT SHALL PREPARE SITE SPECIFIC DOCUMENTS FOR USE WITH THIS DOCUMENT.



FL #: **FL24230**

DATE: **04.18.17**

DWG. BY: **RV** CHK. BY: **HFN**

SCALE: **NTS**

DWG. #: **AWD250**

SHEET **6**

BILL OF MATERIALS

| NO. | PART NUMBER | DESCRIPTION | MATERIAL |
|-----|-------------|-------------------------------------|--------------|
| 1 | - | FRAME | WOOD |
| 2 | - | PANEL CAP | - |
| 3 | - | 4-9/16" CLADDING | ALUM. |
| 4 | - | PANEL STOP | WOOD |
| 5 | - | SILICONE SEALANT | SEALANT |
| 6 | - | PANEL SHIM | PVC |
| 10 | - | 2-3/4" RAIL & STILE | WOOD |
| 11 | - | 2-3/4" RAIL CLADDING | ALUM. |
| 15 | - | 4-9/16" WALL TRANSOM SILL | ALUM. |
| 19 | - | GLAZING STOP | WOOD |
| 26 | - | 1-1/4" 18 GA.HARD STL BRAD | - |
| 27 | - | ADHESIVE TAPE | POLYETHYLENE |
| 28 | - | GLASS SETTING BLOCK | - |
| 33 | - | STRAP ANCHOR | STEEL |
| 34 | - | SILICONE SEALANT | SILICONE |
| 36 | - | 5/8" BETWEEN GLASS MUNTIN | ALUM. |
| 37 | - | 1" CONTOUR MUNTIN | ALUM. |
| 38 | - | 1-1/2" INTERIOR COLONIAL MDL BAR | WOOD |
| 39 | - | SPACER CHANNEL | ALUM. |
| 40 | - | 1-1/2" EXTERIOR MDL BAR | ALUM. |
| 41 | - | 1-1/2" MDL ADHESIVE TAPE (EXTERIOR) | POLYETHYLENE |
| 42 | - | 1-1/2" MDL ADHESIVE TAPE (INTERIOR) | POLYETHYLENE |
| 43 | - | 1-1/8" INTERIOR COLONIAL MDL BAR | WOOD |
| 44 | - | SPACER CHANNEL | ALUM. |
| 45 | - | 1-1/8" EXTERIOR MDL BAR | ALUM. |
| 46 | - | 1-1/8" MDL ADHESIVE TAPE (EXTERIOR) | POLYETHYLENE |
| 47 | - | 1-1/8" MDL ADHESIVE TAPE (INTERIOR) | POLYETHYLENE |
| 48 | - | 7/8" INTERIOR COLONIAL MDL BAR | WOOD |
| 49 | - | SPACER CHANNEL | ALUM. |
| 50 | - | 7/8" EXTERIOR MDL BAR | ALUM. |
| 51 | - | 7/8" MDL ADHESIVE TAPE (EXTERIOR) | POLYETHYLENE |
| 52 | - | 7/8" MDL ADHESIVE TAPE (INTERIOR) | POLYETHYLENE |
| 53 | - | 5/8" INTERIOR COLONIAL MDL BAR | WOOD |
| 54 | - | SPACER CHANNEL | ALUM. |

BILL OF MATERIALS

| NO. | PART NUMBER | DESCRIPTION | MATERIAL |
|-----|-------------|-----------------------------------|--------------|
| 55 | - | 5/8" EXTERIOR MDL BAR | ALUM. |
| 56 | - | 5/8" MDL ADHESIVE TAPE (EXTERIOR) | POLYETHYLENE |
| 57 | - | 5/8" MDL ADHESIVE TAPE (INTERIOR) | POLYETHYLENE |
| 70 | - | NAIL FIN | ALUM. |
| 72 | - | #8 X 1/2" PPH TEK SCREW | STEEL |



100 FOURTH AVE NORTH
BAYPORT, MN 55003-1096
PH: (651) 264-5150 FX: (651) 264-5485

TITLE: E-SERIES HINGED PATIO
DOOR TRANSOM - OUTSWING
(WZ3) (NON-IMPACT)

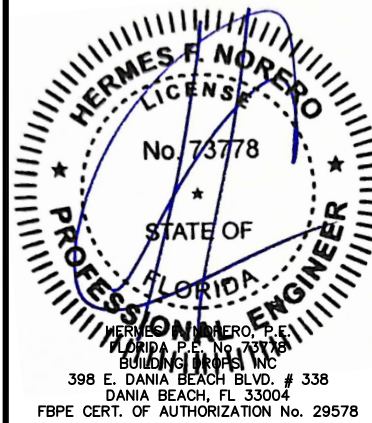
BILL OF MATERIALS

PREPARED BY:
BUILDING DROPS, INC.
398 E. DANIA BEACH BLVD., STE. 338
DANIA BEACH, FL 33004
PH: (954)399-8478
FAX: (954)744-4738
WEB: www.buildingdrops.com



| REMARKS | BY | DATE |
|----------------------|-----|----------|
| 2020 FBC UPDATE | NUS | 08.25.20 |
| 2023 FBC CODE CHANGE | MS | 5/31/23 |
| | | |

THE INSTALLATION DETAILS DESCRIBED HEREIN ARE GENERIC AND MAY NOT REFLECT ACTUAL CONDITIONS FOR A SPECIFIC SITE. IF SITE CONDITIONS CAUSE INSTALLATION TO DEVIATE FROM THE REQUIREMENTS DETAILED HEREIN, A LICENSED ENGINEER OR ARCHITECT SHALL PREPARE SITE SPECIFIC DOCUMENTS FOR USE WITH THIS DOCUMENT.



FL #: **FL24230**

DATE: **04.18.17**

DWG. BY: **RV** CHK. BY: **HFN**

SCALE: **NTS**

DWG. #: **AWD250**

SHEET

7

OF 7

s:\projects\andersen windows\cc-23-0406 - fbc 2023 code change (8th edition)\124230\dwgs\awd250 - e-series hinged patio door transom - outswing (wz3)(impact).dwg 7/20/2023 3:03 PM